

Currency Recycler RZ-100 series

Specifications

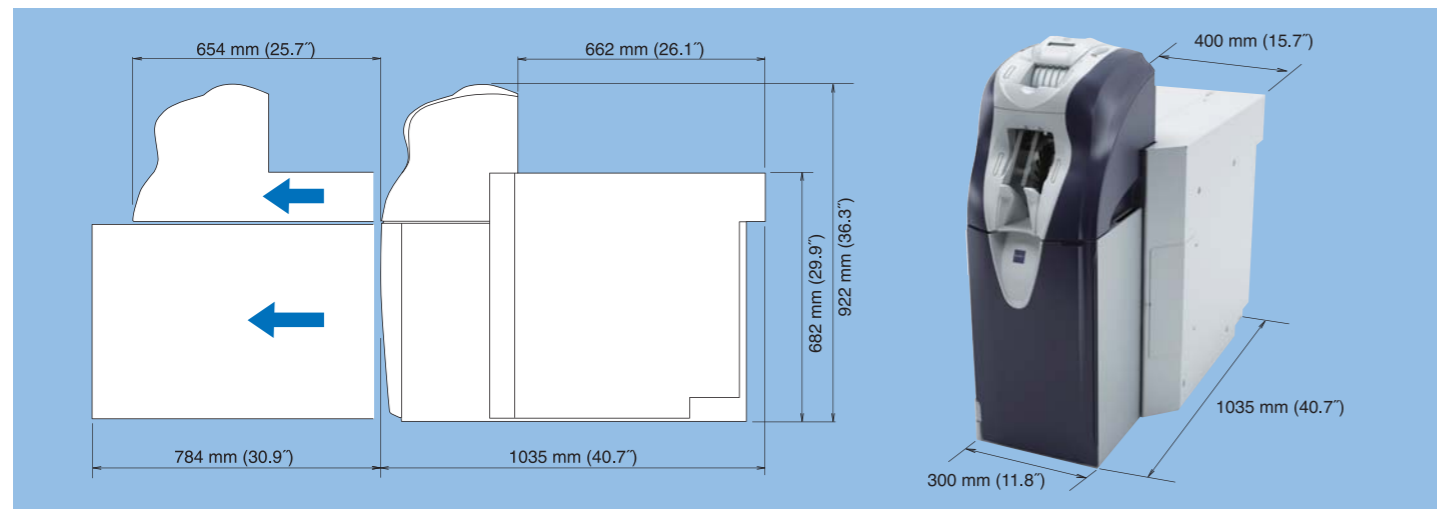
Speed	Deposit	5 Notes Per Second
	Dispense	4 Notes Per Second
Capacity	Escrow Unit	300 Notes(average / depends on denomination)
	Storage Units	300 Notes × 8 modules
	(Roll Storage Modules)	Total Approx. 2,400 Notes
	Collection Cassette	2,000 Notes
	(For deposit only)	
	Capture Bin	20 Notes
	TOTAL	4,400 Notes
Dimensions / Weight	400(W)× 1035(D)×922(H)mm(15.7" × 40.7" ×36.3") / Approx.305Kg [UL291-24H]	
Security	Delay Timer, Seismic Sensor, Alarm Sensor, Password Lock System	
Users	Dual Tellers	
Interface	Two RS-232C/Option: LAN, USB	
Power Supply	Voltage: AC 100V — AC 240 V	
	Frequency: 50/60 Hz	
	Current: 5.5 A — 2.2A	

Security Options

The following safe options are available

UL291-8H (8 hours)	6mm-thick safe
UL291-24H (24 hours)	12mm-thick safe
CEN III	40mm-thick safe
CEN L	16mm-thick safe

Dimensions (with UL291-24H Safe)



* Specifications and design are subject to change without notice.
 * Please carefully read the instruction manual to ensure correct equipment usage.
 * Copyright © 2010 GLORY LTD. ALL Right Reserved



We Secure the Future

Manufactured by
GLORY LTD.
<http://www.glory.co.jp/en>
 Akihabara UDX, 4-14-1 Soto-Kanda, Chiyoda-Ku, Tokyo 101-8977, Japan
 Tel: +81-3-5207-3110 / Fax: +81-3-5207-3030

EUROPE
GLORY Europe GmbH
 Königsberger Str. 1, 60487 Frankfurt am Main, Germany
 Tel: +49-69-7953 880 / Fax: +49-69-7953 8870

SOUTHEAST ASIA & OCEANIA
GLORY Money Handling Machines Pte. Ltd.
 331 North Bridge Road #20-03/05 Odeon Towers Singapore (188720)
 Tel: +65-6837-2813 / Fax: +65-6837-2803

HONG KONG
GLORY Cash Handling Systems (China) Ltd.
 Room 704-5, 7/F, Lu Plaza, 2 Wing Yip St., Kwun Tong, Kowloon, Hong Kong
 Tel: +852-2628-1800 / Fax: +852-2628-1802

CHINA
GLORY International Trading (Shanghai) Co., Ltd.
 B401-405, Far East International Plaza, No. 317 Xianxia Road, Shanghai 200051, P.R. of China
 TEL: +86-21-6235-1008 / FAX: +86-21-6235-0226

Distributed by:

GLORY®

Currency Recycler

RZ-100 series

Streamline Teller Operations Through Sophisticated Cash Recycling



Secure

Flexible

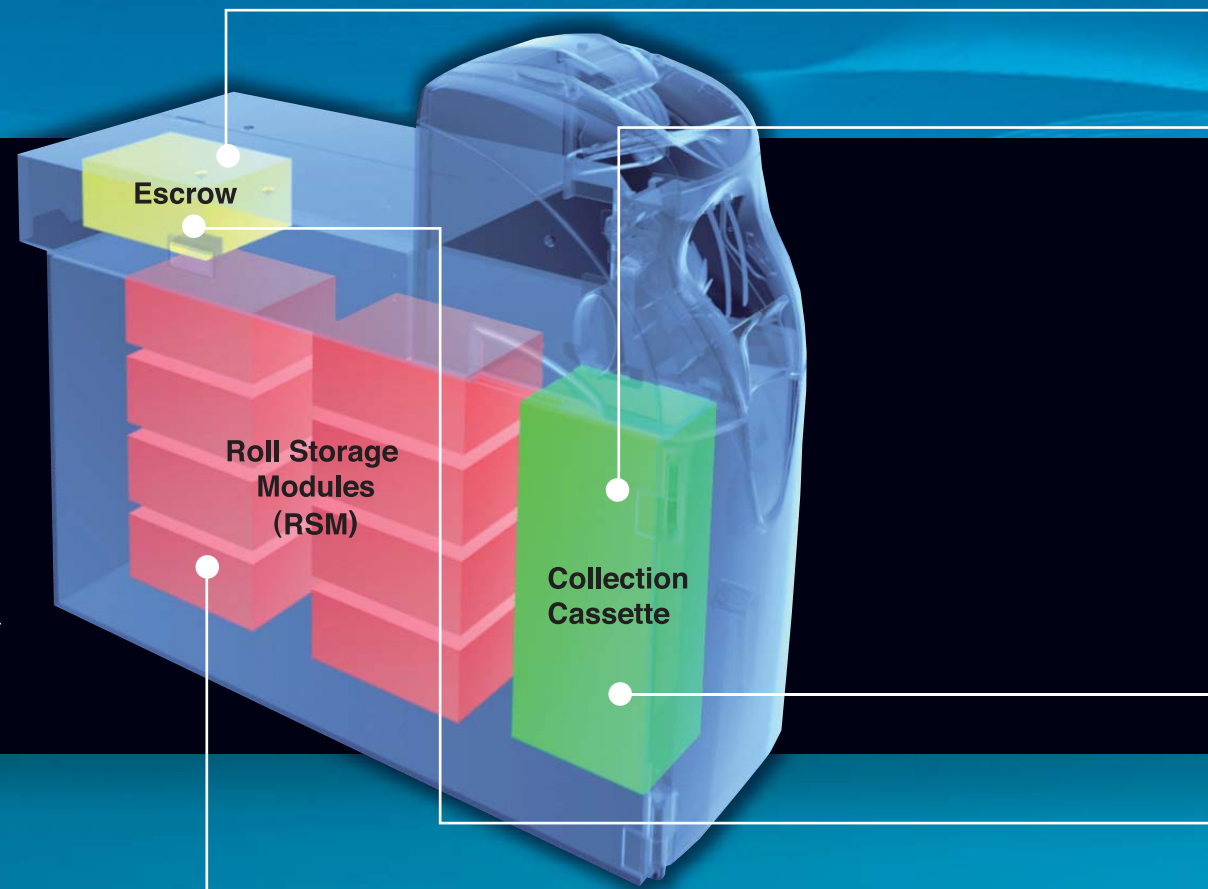
Efficient

Advances in cash handling automation at the teller counter have evolved to provide superior levels of accuracy and efficiency

GLORY's constant pursuit of high quality and performance provides superior levels of accuracy and efficiency in cash processing.

The RZ100 is equipped as standard with industry leading technologies such as Auto-Verification, Escrow, and a Collection Cassette.

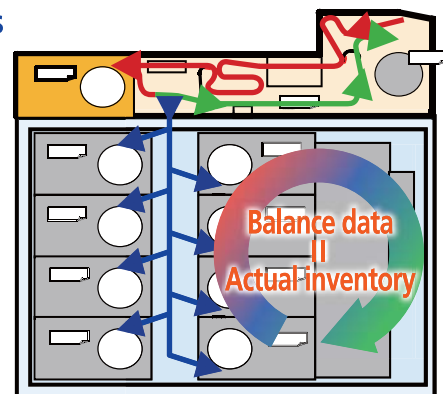
The automation of cash handling enabled by the RZ100 allows the teller to focus on the customer, resulting in improved service and sales, as well as an enhanced customer experience.



Advanced banknote verification technologies improve operational efficiency.

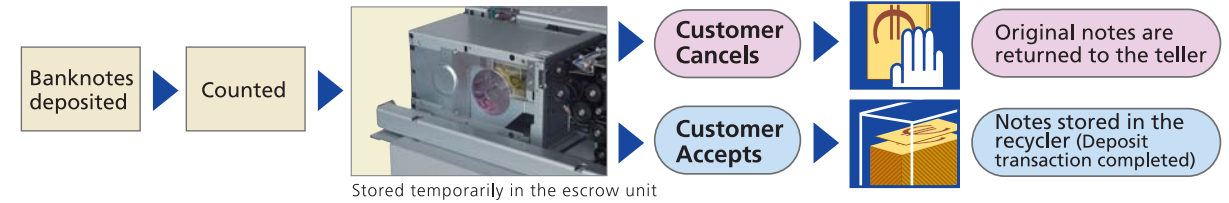
Tellers do not need to manually count and check deposits as banknotes stored in the Roll Storage Modules (RSM) are counted and verified within the recycler. This "Closed Cash System" functionality allows safer, faster and more accurate verification and storage.

* The automatic verification function requires the upper application software.
* GLORY's application software (optional) accommodates this function.



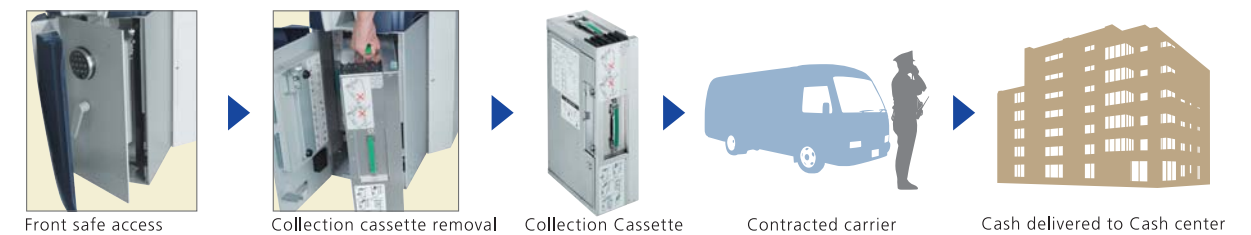
The Escrow function allows tellers to safely agree deposit values with the customer.

- Instead of being deposited directly into a storage module, once counted and verified, notes are held temporarily in the escrow unit until the teller completes the transaction.
- If the customer decides to cancel the transaction or asks for the notes to be recounted, the original deposited banknotes can be returned. This function allows any disputes to be resolved quickly and efficiently.



Removable secure Collection Cassette can be used to collect banknotes quickly and easily with no manual cash handling.

- Banknotes stored in the recycler can be transferred to the collection cassette within the unit with no manual cash handling. They can be removed from the unit in the collection cassette, enhancing security during transportation between the teller position and the back-office.



Multi-currency operations can be handled using mixed denomination configuration.

- Any notes that are not recycled can be stored directly into the Collection Cassette thus maximizing RSM capacity.
e.g. Ruble notes can be stored in the collection cassette and euro notes stored in the RSM for re-issue.
- To use the RSMs more efficiently, two or more denominations can also be stored in one RSM.
e.g. When 200-euro notes and 500-euro notes are stored in the same module, designated notes can be dispensed as requested. (If 500-euro notes are requested, any 200-euro notes are sent to the escrow unit for temporary storage and returned to the RSM after the 500-euro notes have been dispensed.)
- Up to 64 note denominations can be included in the RZ100 template.



Removable RSMs to minimize down time.

- The RSM can be easily removed, allowing any faulty module to simply be replaced and repaired at a later date. Operational down time can therefore be reduced to a minimum. The RZ100 can also be used with less than 8 RSMs if required



Roll Storage Modules (RSM)