

# Desktop Banknote Sorter USF-100

## Specifications

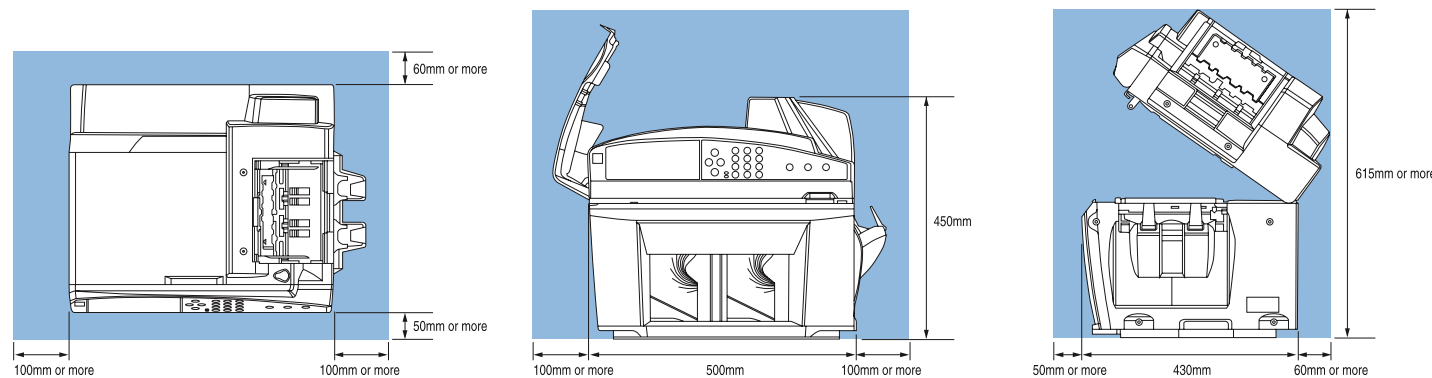
Product Name:	Currency Sorter
Counting Speed:	Approx. 650 notes/min.
Hopper Capacity:	Approx. 500 notes
Stacker Capacity:	Approx. 200 notes x 2
Reject Stacker Capacity:	Switchable 50/100 notes
Power Supply:	100 — 240 V ± 10 %: 1.2 — 0.8 A, 50/60 Hz
Dimensions:	500 mm (W) x 430 mm (D) x 450 mm (H)
Weight:	Approx. 42 kg
External Connection (option):	RS-232C x 2 for PC and Printer Interface (CITIZEN iDP-3550, STAR MICRONICS TSP-600 series) RS-232C x 1 for External Display



# Desktop Banknote Sorter USF-100

Ideal for sorting mixed banknotes by fitness, denomination and orientation, this compact sorter achieves high productivity, accuracy, and reliable counterfeit detection.

## Dimensions & Required Installation Space



## Product Line Up



USF-100



LW-500



LW-600

\* Specifications are subject to change without notice.  
\* Please carefully read the instruction manual to ensure correct equipment usage.  
\* Copyright © 2010 GLORY LTD. ALL Right Reserved.



We Secure the Future

Manufactured by  
**GLORY LTD.**  
<http://www.glory.co.jp/en>  
Akihabara UDX, 4-14-1 Soto-Kanda, Chiyoda-Ku, Tokyo 101-8977, Japan  
Tel: +81-3-5207-3110 / Fax: +81-3-5207-3030

U.S.A.  
**GLORY (U.S.A.) Inc.**  
Corporate Headquarters  
10 York Avenue, West Caldwell, NJ 07006  
Tel: +1-800-999-4510 / Fax: +1-973-228-7114

EUROPE  
**GLORY Europe GmbH**  
Königsberger Str. 1, 60487 Frankfurt am Main, Germany  
Tel: +49-69-7953 880 / Fax: +49-69-7953 8870

SOUTHEAST ASIA & OCEANIA  
**GLORY Money Handling Machines Pte. Ltd.**  
331 North Bridge Road #20-03/05 Odeon Towers Singapore (188720)  
Tel: +65-6837-2813 / Fax: +65-6837-2803

HONG KONG  
**GLORY Cash Handling Systems (China) Ltd.**  
Room 704-5, 7/F, Lu Plaza, 2 Wing Yip St., Kwun Tong, Kowloon,  
Hong Kong  
Tel: +852-2628-1800 / Fax: +852-2628-1802

CHINA  
**GLORY International Trading (Shanghai) Co., Ltd.**  
B401-405, Far East International Plaza, No. 317 Xianxia Road, Shanghai  
200051, P.R. of China  
TEL: +86-21-6235-1008 / FAX: +86-21-6235-0226

Distributed by:

# GLORY's New Banknote Sorter Improves Cash Management Efficiency by Recycling the Banknotes in the Branch and Reduces the Workload While Achieving High Accuracy and Efficient Productivity.

Recently, the demand has grown for more efficient cash management at branches, resulting in the installation of a banknote sorter at each branch. The Banknote Sorter USF-100 was developed to meet this demand for banknote recycling. The USF-100 is equipped with both the high performance and easy operability of its higher-end counterparts, such as the UW-500 and UW-600\*.

\* Please refer to backside Product Line-up.



**Equipped with two stackers and one reject stacker, the USF-100 accurately and quickly sorts mixed banknotes by fitness, oldness, denomination and orientation.**

**Next Generation Sensors with Superb Counterfeit Detection**

Banknote handling machines must deliver both high efficiency and a combination of speed and accuracy. GLORY's USF-100 offers Next Generation Sensors for Fitness Sorting and Superb Counterfeit Detection while processing at a remarkably high rate of speed of 650 notes per minute.

**The ability of the USF-100 to accurately assess fitness and detect counterfeit banknotes has passed the strict framework standards of the European Central Bank (ECB).**

- Fitness Sorting:** Rejected banknotes (Counterfeit...etc.) vs. Fit banknotes and Unfit banknotes.
- New/Oldness Sorting:** Rejected banknotes (Counterfeit...etc.) vs. Current banknotes and Old banknotes.
- Denomination Sorting:** Rejected banknotes (Counterfeit...etc.) vs. Banknotes of a specified denomination and Others.
- Orientation Sorting:** Rejected banknotes (Counterfeit...etc.) vs. Banknotes of mixed denominations facing up and Banknotes of mixed denominations facing down.
- Batching Arrangement:** Rejected banknotes (Counterfeit...etc.) vs. 100 banknotes of a specified denomination and 100 banknotes of a specified denomination.

**Double-LCD Display with Illustrated Operator Guidance**

**For ease of use and operation**

The display section features two side-by-side LCDs, one for displaying data and messages and the other for use as an illustrated system guide. Wide display screens substantially improve visibility.

**Counting Result and Status**  
The display section shows the total amount and number of banknotes by denomination and the total processing data. In the event of an error, the display section indicates a description of how to reset the system.

**Example of error reset procedure display**  
The display shows the status of the system. If an error occurs, the display section describes the status and location of the error.

**Large-Capacity Hopper with an Assisted Feeding Mechanism**

**For a lower incidence of feeding issues of due to poor quality banknotes**

The large-capacity hopper holds 500 banknotes. Thanks to the Assisted Feeding Mechanism the hopper reliably feeds one note at a time to prevent jamming or high rejects due to double feeding. The open-type hopper lets you keep an eye on the banknote feeding process so you can add more notes in continuous large-volume deposits.



**By sorting cash at the branch, you can reduce the amount of cash to be transported.**

**When cash sorting is outsourced:**

- It is difficult to reduce the amount of capital reserves for use in the branch.
- It is difficult to reduce the number of cash transport cycles between main and branch offices.

**By using USF-100 to increase the ratio of the cash sorted in the branch:**

- Fit and current banknotes can be recycled as branch reserves.
- Unfit or old banknotes and surplus cash are sent to the main office or to a company contracted to handle it.
- Cash management efficiency is improved and the amount of capital reserves on hand can be reduced.
- By automating the cash sorting task with the USF-100, the branch's workload can also be reduced.

**2-Teller Operation**

**The time for sorting can be further reduced**

When the USER button on the control panel is pressed, the A/B indicator lights to indicate the current user. The processed data is stored in memory for users A and B, so the data can be easily compiled and understood.

USF-100 allows effective use of limited desk space.

**Easier Maintenance**

**Quick JAM Recovery reduces processing interruptions**

The system features a completely opening top that allows easy maintenance of the banknote transport section. Should banknotes jam or foreign object in the counting or transport section, the wide-opening upper section of the main unit makes it easy to find and remove the jammed notes or foreign object. A dust tray is also provided for easy removal of accumulated dust.